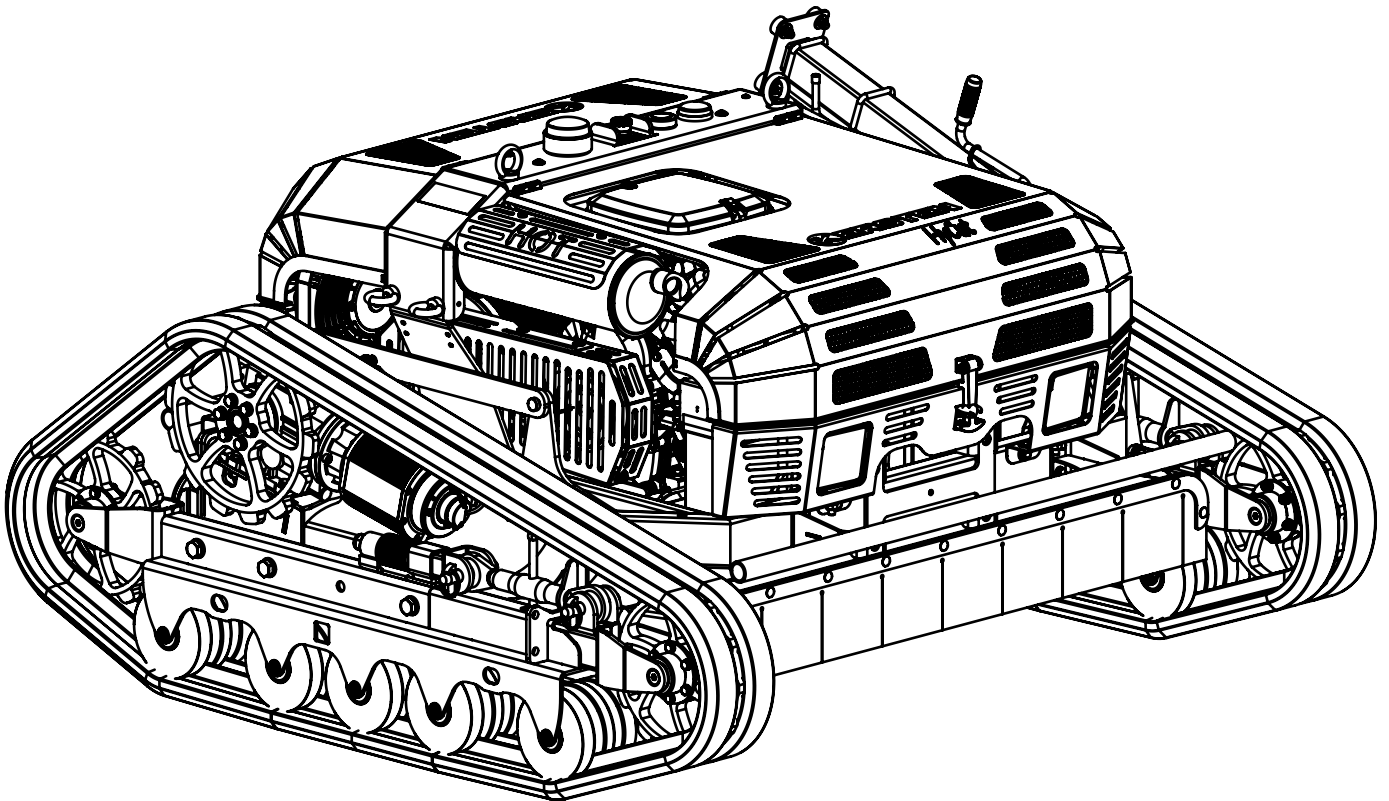




Spare Parts List

HyCut Remote Control mower



Order number: E00140 | from machine no. | Rev: R02 | Status: 01/2024

Kersten
SITE MAINTENANCE EQUIPMENT

Telephone: 0118 9869 253

Email: office@kerstenuk.com

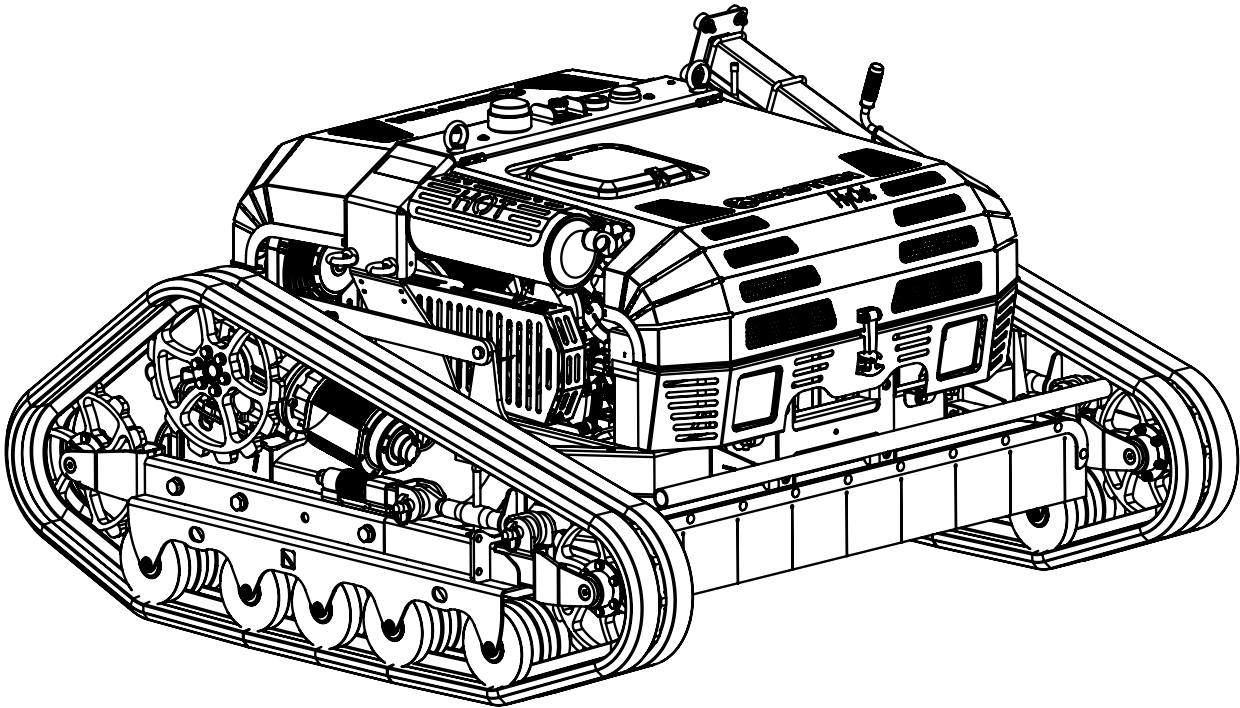
Progress House, 39 Boulton Road, Reading, Berkshire, RG2 0NH, United Kingdom

<https://kerstenuk.com/>

Table of contents

1 Model overview - S1000	3
2 Assembly overview	4
2.1 Chassis - C11304	4
2.2 Drive unit - C10521	10
2.2.1 Combustion engine - C12156	12
2.3 Hood - C10957	13
2.4 Left landing gear - C11207	15
2.5 Chassis right - C11586	17
2.6 Mower deck - C10165	19
2.7 Pendulum knife plate - C11840	21
2.8 Jack - S1004	22
3 rubber tracks	23
3.1 Rubber track set Allround profile - S1001	23
3.2 Rubber track set Ackerstolle - S1002	23
4 Options	24
4.1 Roll cage ROPS - S1106	24
4.2 Battery charger - S1077	25
4.3 Shoulder strap - S1299	25

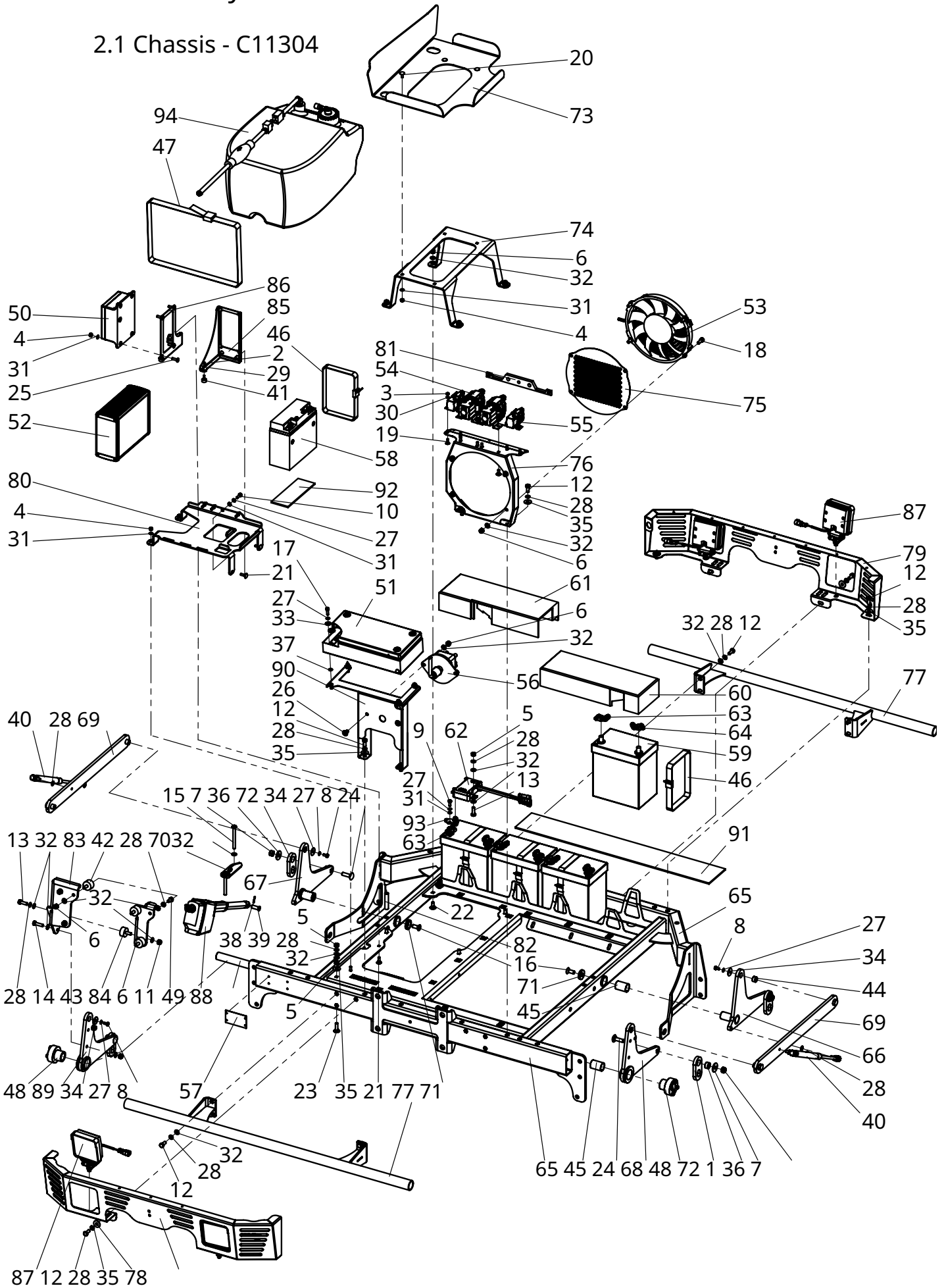
1 Model overview - S1000



No.	Item no.	No.	designation
1	C10165	1	Assembling the mower deck
2	C1052 1	1	Assembling the drive unit
3	C1095 7	1	Assembling the hood
4	C1120 7	1	Assembling the chassis left
5	C1130 4	1	Assembling the chassis
6	C1158 6	1	Assembling the chassis right.
7	S1004	1	car jack

2 Assembly overview

2.1 Chassis - C11304



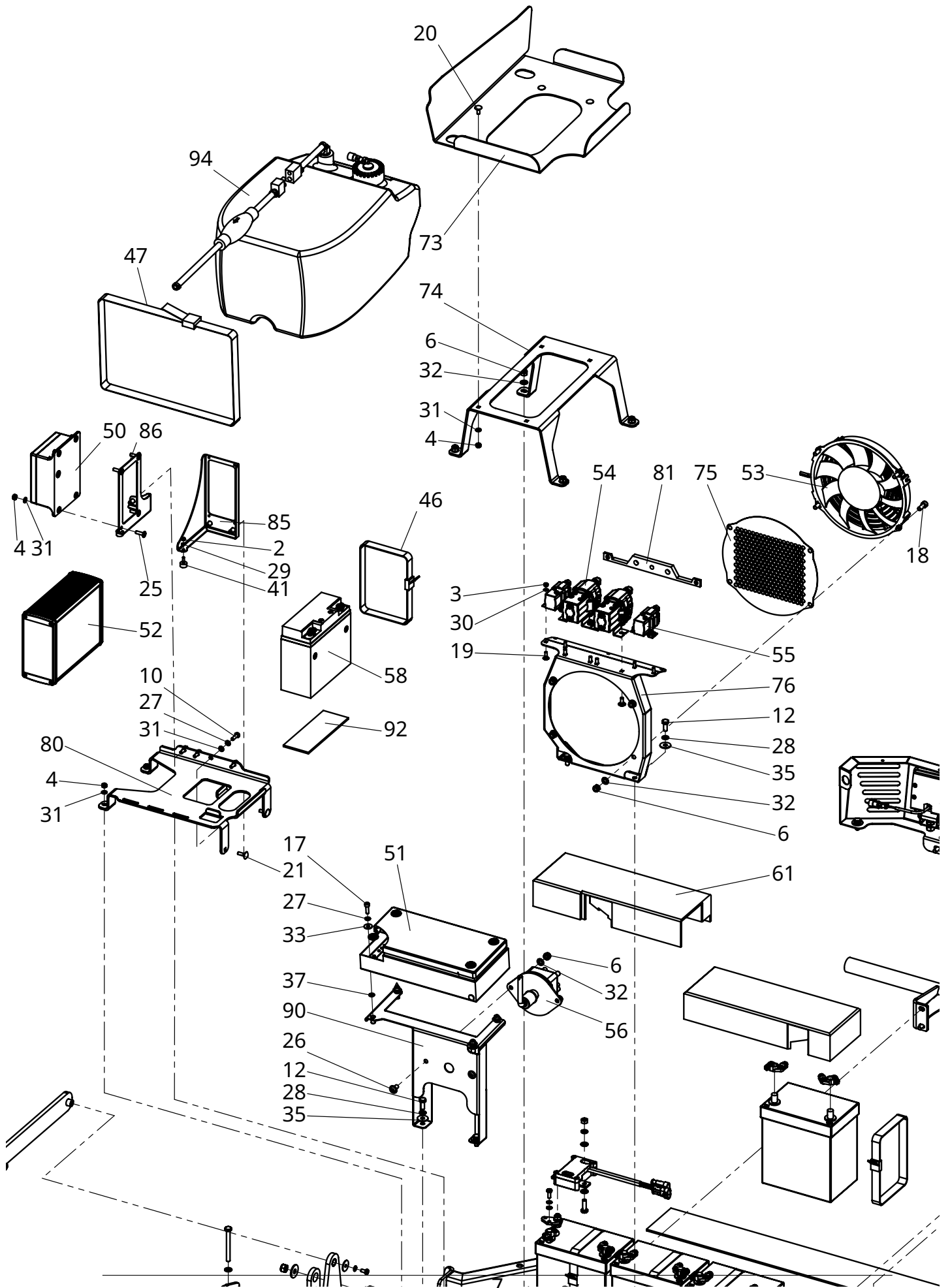
Chassis - C11304

No.	TypeNo.	Qty.	designation
1	705 205 011	4	socket
2	900 004 002	2	Lock nut
3	900 005 002	4	Lock nut
4	900 006 002	16	Lock nut
5	900 008 001	6	St. Mother
6	900 008 002	18	Lock nut
7	900 010,002	4	Lock nut
8	901 006 012	4	Hexagon screw without shaft
9	901 006 016	1	Hexagon screw without shaft
10	901 006 020	4	Hexagon screw without shaft
11	901 008 016	3	Hexagon screw without shaft
12	901 008 020	20	Hexagon screw without shaft
13	901 008 025	3	Hexagon screw without shaft
14	901 008 030	2	Hexagon screw without shaft
15	901 108 080	2	Hexagon screw with shaft
16	901 210,025	2	Countersunk screw with hexagon socket.
17	901 806 020	4	Cylinder head screw with hexagon socket.
18	901 808 020	4	Cylinder head screw with hexagon socket.
19	901 905 016	4	carriage bolt
20	901 906 016	8	carriage bolt
21	901 906 020	4	carriage bolt
22	901 908 020	4	carriage bolt
23	901 908 035	2	carriage bolt
24	901 910,035	4	carriage bolt
25	903 906,020	4	Lens head screw with hexagon socket.
26	903 908 016	2	Lens head screw with hexagon socket.
27	905 006 000	13	spring ring
28	905 008 000	32	spring ring
29	905 104 000	2	U-disk
30	905 105 000	4	U-disk
31	905 106 000	21	U-disk
32	905 108 000	42	U-disk
33	905 206 018	4	K-disc
34	905 206 025	4	K-disc
35	905 208 025	14	K-disc
36	905 210,000	4	K-disc
37	906 906 000	4	Teflon disc
38	907 225,020	2	Splint
39	908 510,028	2	cotter pin
40	909 950,000	2	Gas spring
41	911 004 015	2	rubber buffers
42	911 008 020	3	Rubber-metal buffers
43	911 008 021	1	Rubber-metal buffers
44	915 151,710	4	plain bearings
45	915 252,840	4	plain bearings
46	918 080 150	5	Battery band
47	918 450 025	1	Tension belt with clamp lock
48	921 610,025	2	clamping element
49	936 050 003	1	Electric cylinder
50	936 306 021	1	Remote control complete set
51	936 306 022	1	Wiring harness including junction box
52	936 306 025	1	Control including data logger
53	938 702 020	1	fan
54	941 902 017	2	Isolating contactor
55	941 902 018	2	Isolating contactor

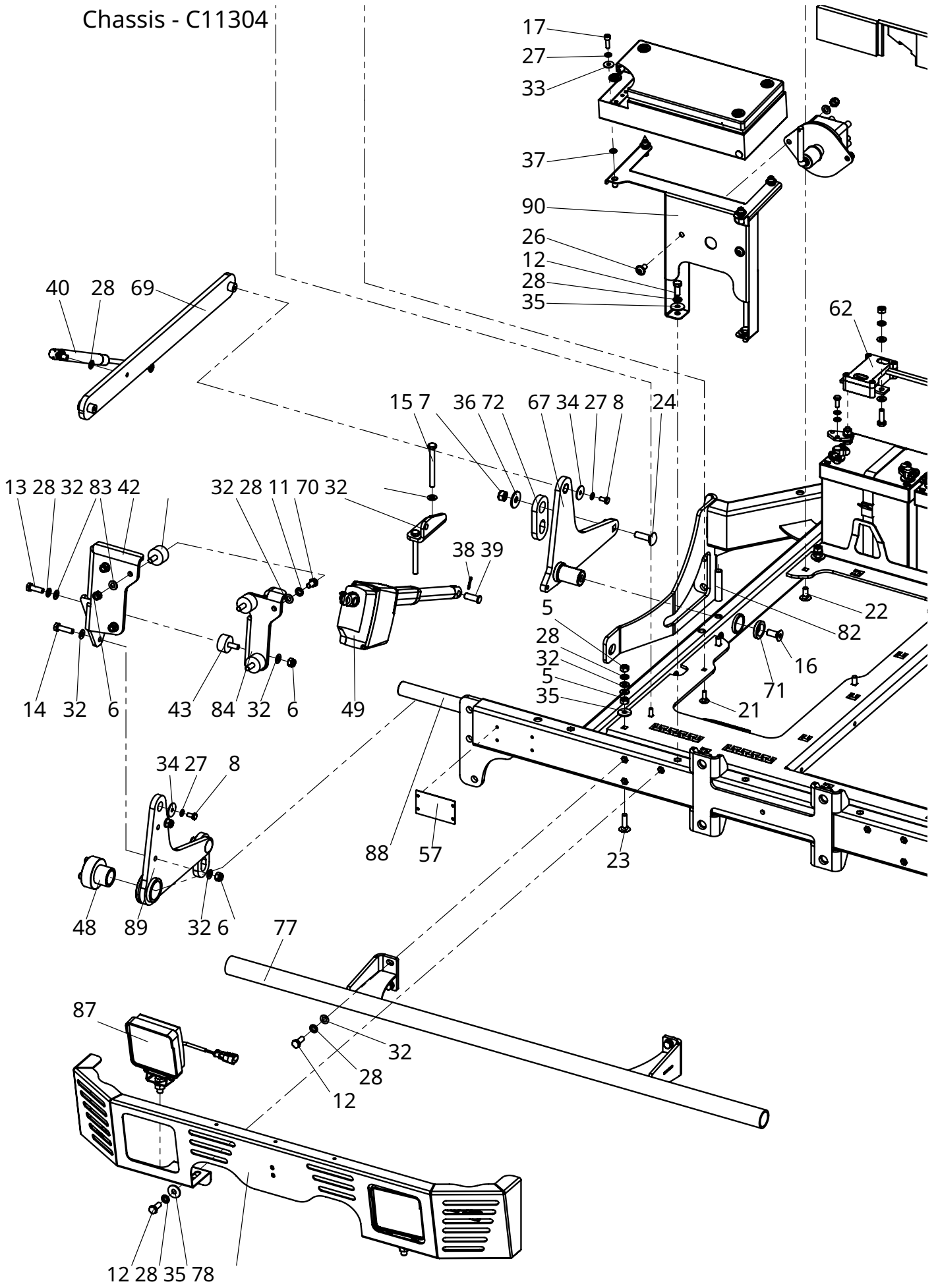
Chassis - C11304

No.	TypeNo.	Qty.	designation
56	941 903 009	1	2-pole battery main switch
57	950 900 070	1	Nameplate - Kersten
58	960 011,220	1	Battery closed
59	960 011,235	4	battery
60	960 031,100	1	Battery cover right
61	960 031 101	1	Battery cover left
62	960 080 011	1	Measuring shunt cast
63	960 202 010	4	Battery terminal
64	960 202 011	4	Battery terminal
65	C1 0519	1	Chassis complete
66	C1 0570	1	Deck mount front right complete
67	C1 0571	1	Deck mount front left complete
68	C1 0573	1	Deck mount rear right complete
69	C1 0576	2	Longitudinal strut complete
70	C1 0589	1	Electrocyylinder chassis mount
71	C1 0667	2	Lock washer
72	C1 0689	4	pendulum plate
73	C1 0769	1	Tank tray
74	C1 0770	1	tank carrier
75	C1 1197	1	Perforated sheet fan
76	C1 1198	1	Fan mount
77	C1 1433	2	Bumper complete
78	C1 1476	1	rear apron
79	C1 1490	1	front apron
80	C1 1510	1	Support plate control boxes
81	C1 1540	1	Positive rail contactors
82	C1 1562	2	spacer sleeve
83	C1 1717	1	Damper mount lifting cylinder complete.
84	C1 1753	1	Mounting lifting cylinder bracket
85	C1 2027	1	Carrier control complete
86	C1 2031	1	Carrier receiver complete
87	C1 2085	4	LED work light complete
88	C1 2089	1	cross shaft
89	C1 2102	1	Deck mount rear left complete
90	C1 2533	1	Recording main & defense complete
91	C1 2534	1	Battery pad
92	C12535	1	Battery pad
93	C12547	1	Ground rail measuring shunt
94	C12566	1	Tank assembly

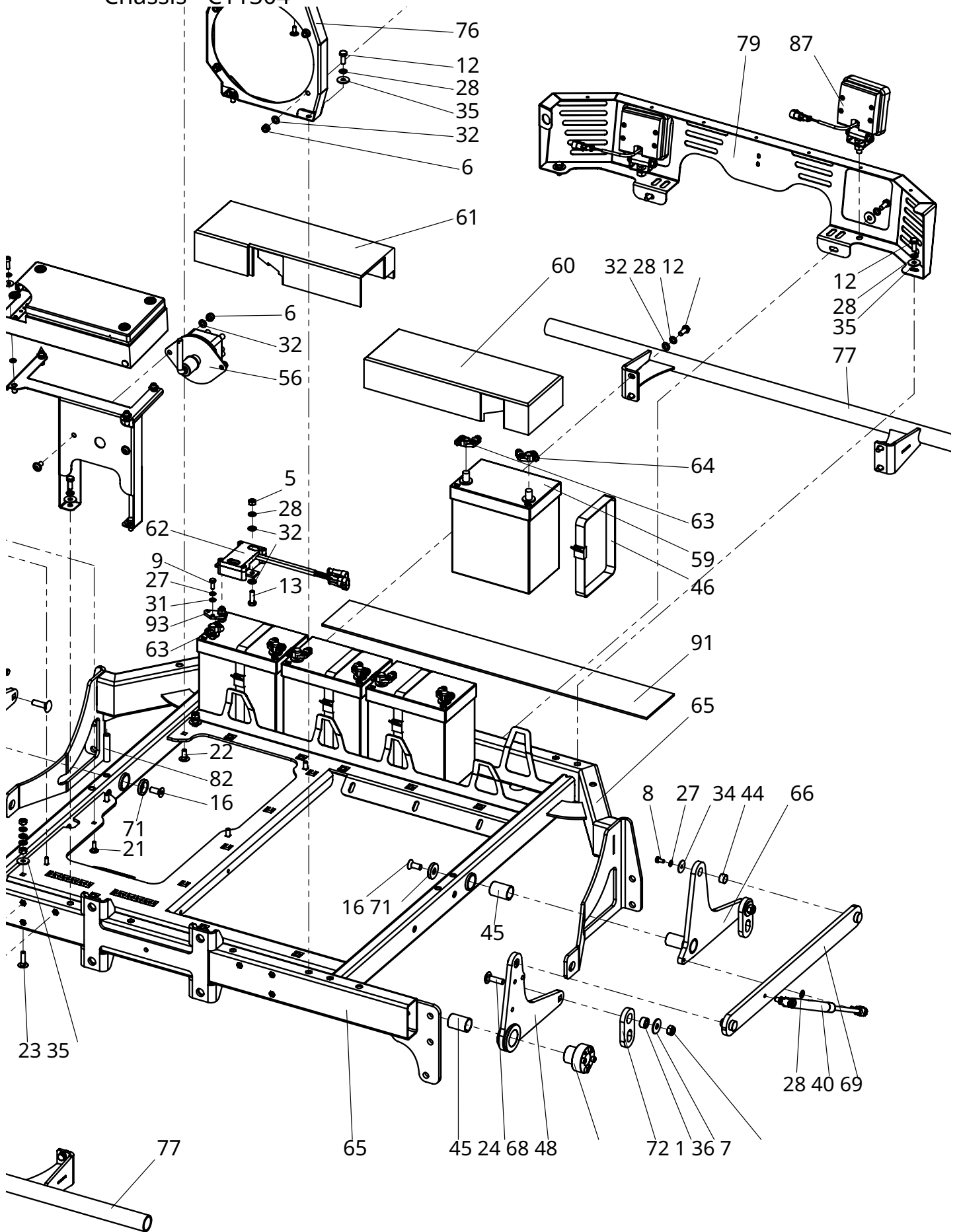
Chassis - C11304



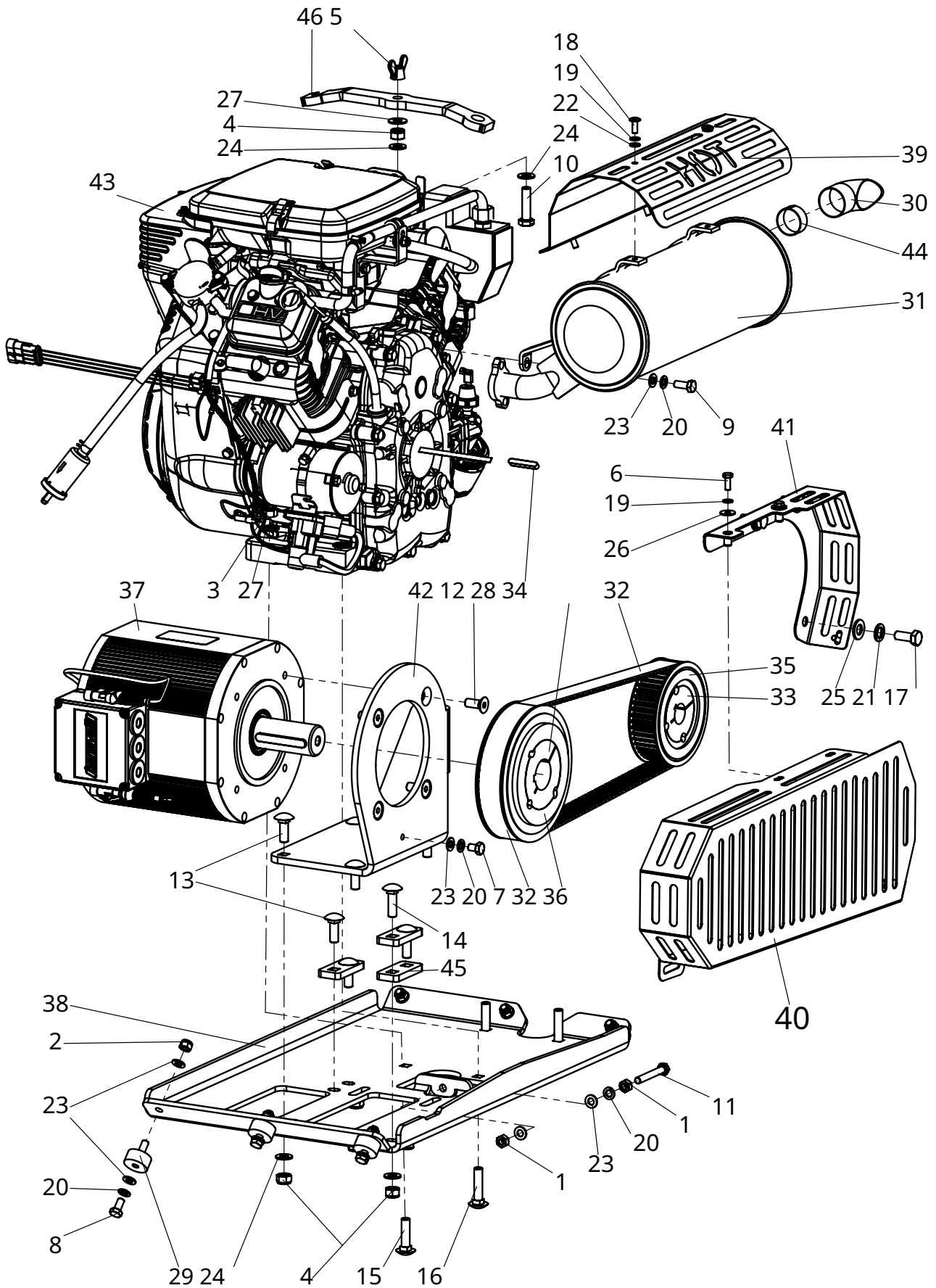
Chassis - C11304



Chassis - C11304



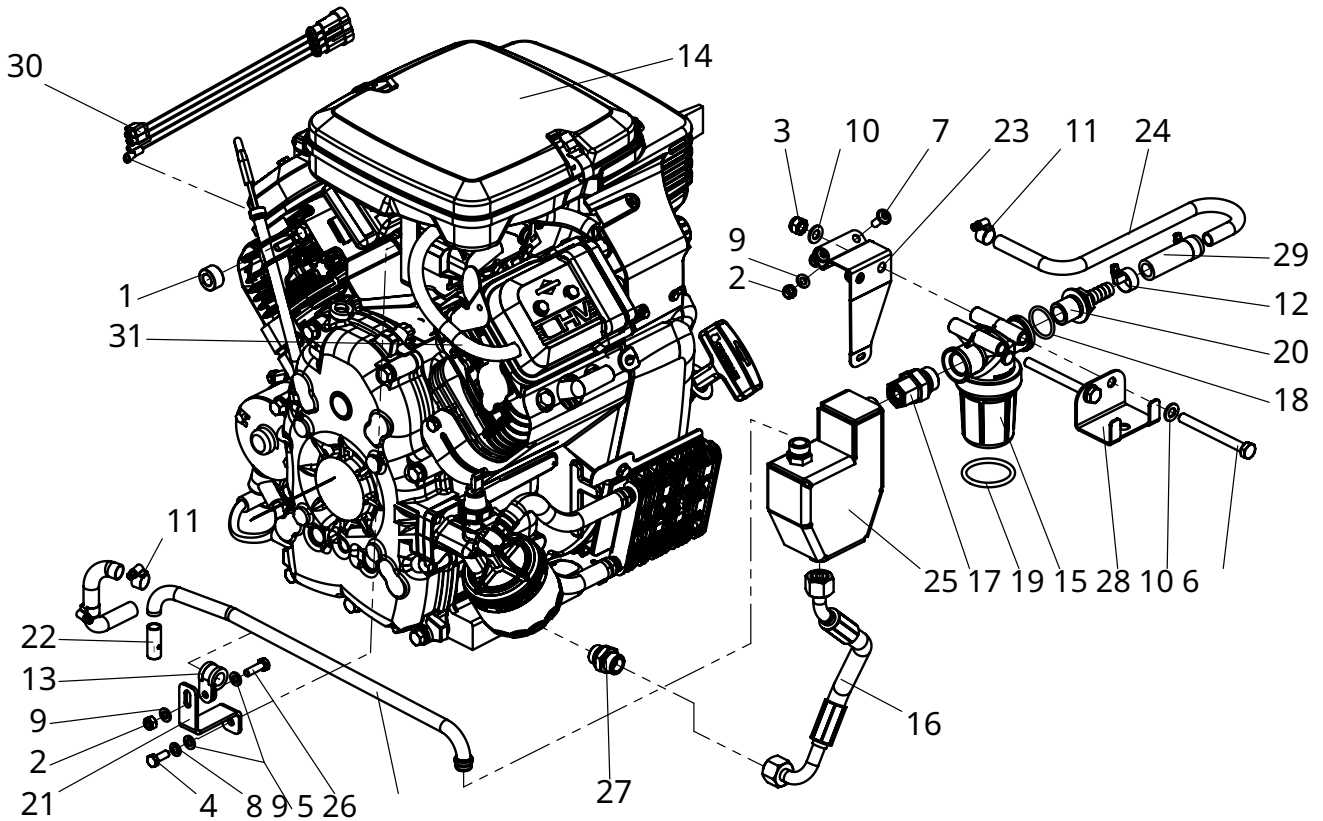
2.2 Drive unit - C10521



Antriebsunit - C10521

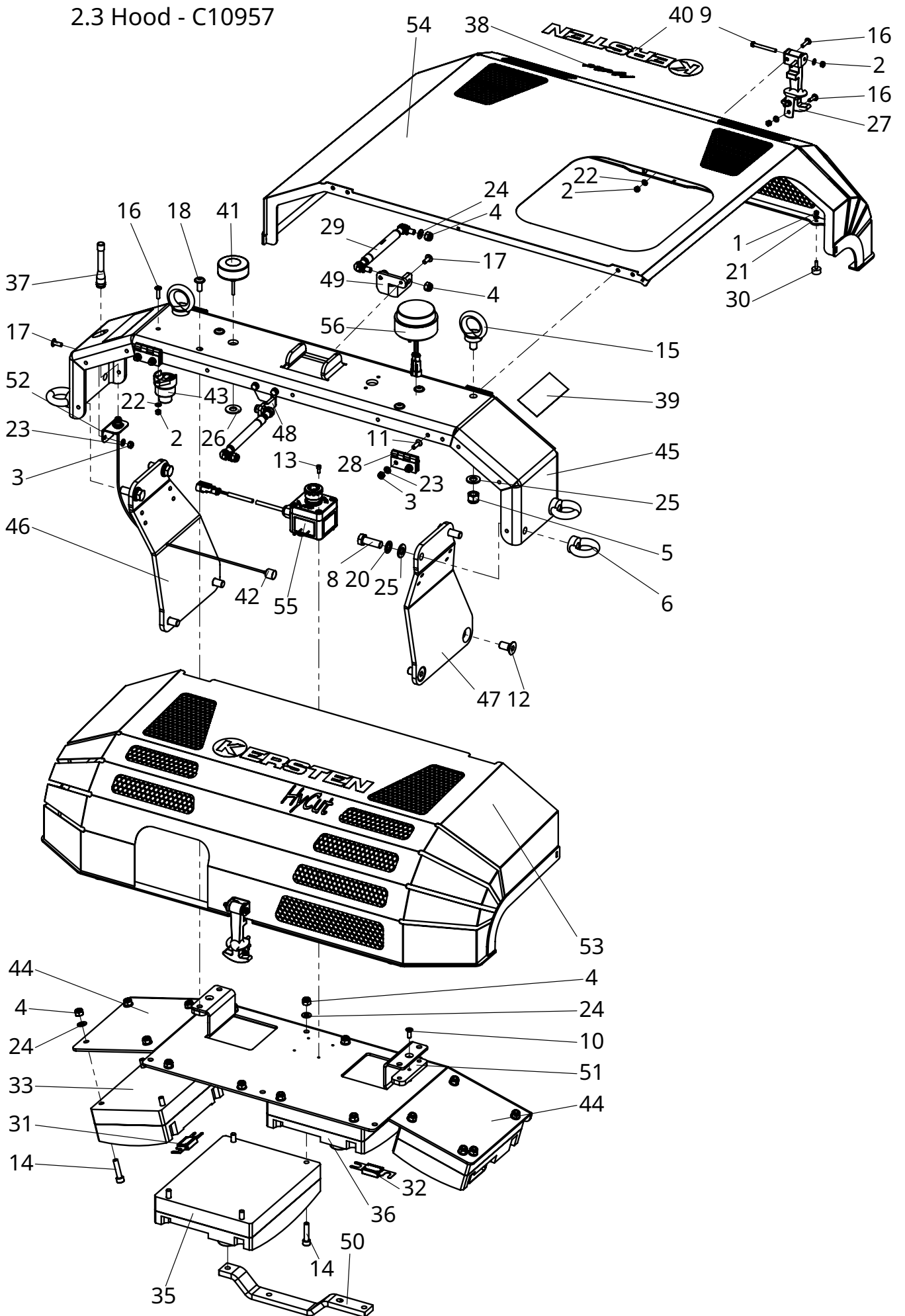
No.	TypeNo.	Qty.	designation
1	900 008 001	2	St. Mother
2	900 008 002	6	Lock nut
3	900 010,001	4	St. Mother
4	900 010,002	9	Lock nut
5	900 010,007	1	wing nut
6	901 006 016	3	Hexagon screw without shaft
7	901 008 012	1	Hexagon screw without shaft
8	901 008 016	6	Hexagon screw without shaft
9	901 008 020	2	Hexagon screw without shaft
10	901 010,040	1	Hexagon screw without shaft
11	901 108 060	1	Hexagon screw with shaft
12	901 210,025	4	Countersunk screw with hexagon socket.
13	901 910,030	6	carriage bolt
14	901 910,035	2	carriage bolt
15	901 910,040	2	carriage bolt
16	901 910,045	2	carriage bolt
17	902 716,100	3	inch screw
18	903 906 016	4	Lens head screw with hexagon socket.
19	905 006 000	7	spring ring
20	905 008 000	10	spring ring
21	905 012,000	3	spring ring
22	905 106 000	4	U-disk
23	905 108 000	17	U-disk
24	905 110,000	10	U-disk
25	905 112,000	3	U-disk
26	905 206 018	3	K-disc
27	905 510,000	5	Locking washer
28	908 635,040	1	key
29	911 008 021	6	Rubber-metal buffers
30	920 803 073	1	Exhaust deflector
31	920 995 007	1	silencer
32	921 501 120	1	Timing belt
33	921 600 254	1	Taperlock bushing
34	921 601 038	1	Taperlock bushing
35	921 648,830	1	Timing belt pulley
36	921 764,830	1	Timing belt pulley
37	936 001 013	1	generator
38	C1 0496	1	Vibration plate motor
39	C1 1455	1	Heat shield
40	C1 1560	1	Timing belt guard part 2 complete.
41	C1 1561	1	Timing belt guard part 1 complete.
42	C1 1771	1	Benevelli generator support
43	C1 2156	1	Combustion engine modified
44	C1 2563	1	Exhaust spacer plate
45	C12571	3	Guide plate generator
46	C13592	1	clamping tool

2.2.1 Combustion engine - C12156



No.	Art.-Nr. A	nz.	designation
1	705 205 011	1	socket
2	900 006 002	3	Lock nut
3	900 008 002	2	Lock nut
4	901 006 016	1	Hexagon screw without shaft
5	901 006 020	1	Hexagon screw without shaft
6	901 108 080	2	Hexagon screw with shaft
7	903 906 016	2	Lens head screw with hexagon socket.
8	905 006 000	1	spring ring
9	905 106 000	5	U-disk
10	905 108 000	4	U-disk
11	908 210 016	3	hose clamp
12	908 212 022	2	hose clamp
13	908,618 012	1	Pipe clamp with rubber
14	920,000 324	1	combustion engine
15	920 001 031	1	Inline filter
17	931 031 012	1	Hydraulic screw connection
18	937 105 058	1	O-ring
19	937 139 040	1	O-ring
20	961 012 013	1	hose connection
21	C1162 5	1	Retaining plate ventilation
22	C1215 9	1	ball valve
23	C1326 0	1	Oil separator retaining plate
24	C1326 9	1	Vent pipe 2
25	C1348 1	1	Oil separator complete
26	C1352 9	1	Ventilation pipe 1 complete
27	C1353 0	1	Hydraulic screw connection
28	C1366 8	1	Mounting plate. Clamping tool
28	930,000 250	1	Hydraulic hose HyCut
29	C1372 9	1	hose line
30	C1373 2	1	CAN bus connection
31	C1374 6	1	fuel hose

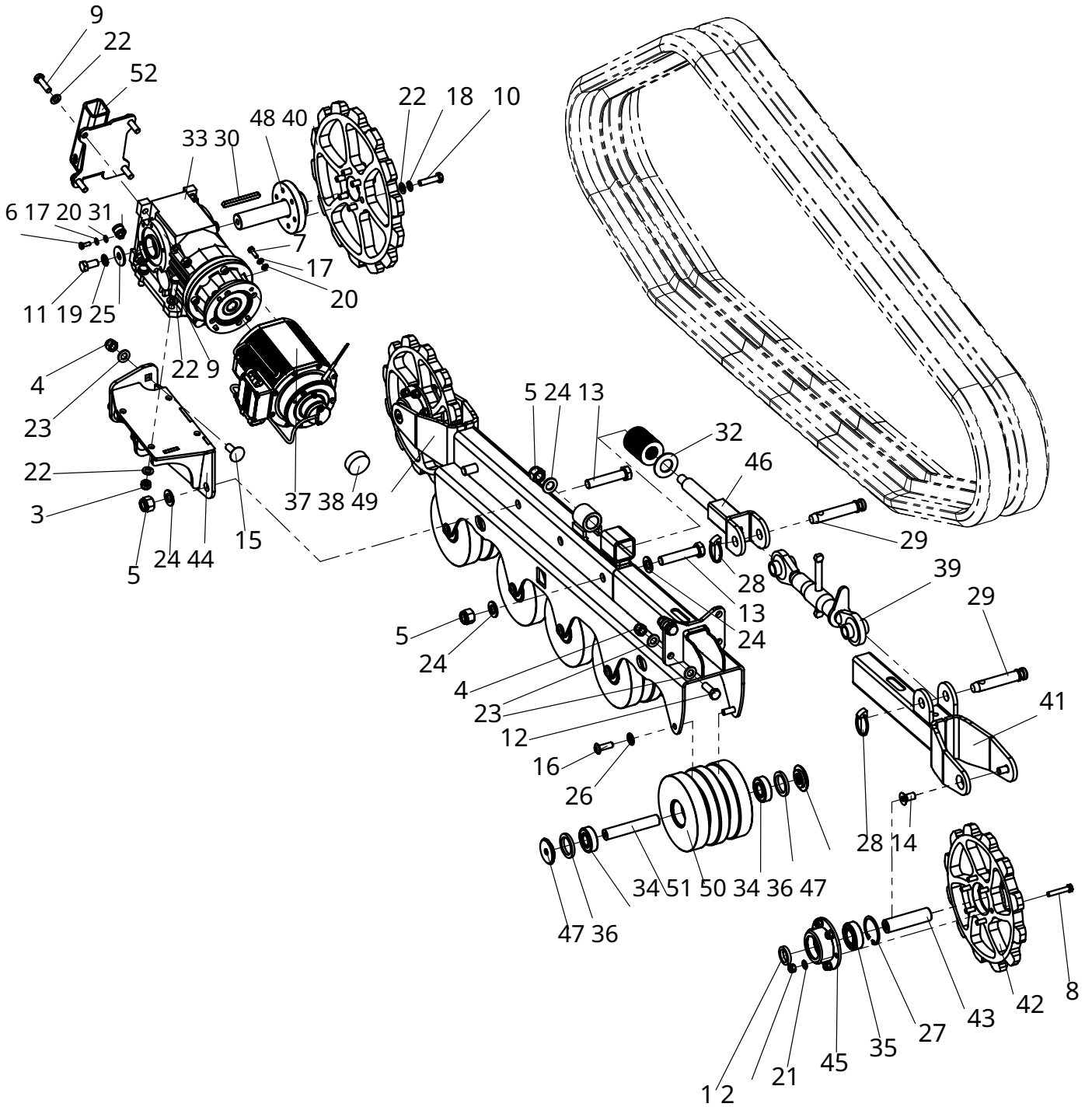
2.3 Hood - C10957



Haab - C10957

No.	TypeNo.	Qty.	designation
1	900 004 002	4	Lock nut
2	900 005 002	11	Lock nut
3	900 006 002	18	Lock nut
4	900 008 002	21	Lock nut
5	900 012 002	2	Lock nut
6	900 012,017	4	ring nut
7	901 006 016	2	Hexagon screw without shaft
8	901 012,035	4	Hexagon screw without shaft
9	901 105 045	2	Hexagon screw with shaft
10	901 206 016	1	Countersunk screw with hexagon socket.
11	901 206 020	16	Countersunk screw with hexagon socket.
12	901 212,025	4	Countersunk screw with hexagon socket.
13	901 804 010	4	Cylinder head screw with hexagon socket.
14	901 808 035	16	Cylinder head screw with hexagon socket.
15	902 012,080	2	High-strength eyebolt
16	903 905 020	9	Lens head screw with hexagon socket.
17	903 906 016	4	Lens head screw with hexagon socket.
18	903 908 020	4	Lens head screw with hexagon socket.
19	905 006 000	2	spring ring
20	905 012,000	4	spring ring
21	905 104 000	4	U-disk
22	905 105 000	13	U-disk
23	905 106 000	20	U-disk
24	905 108 000	19	U-disk
25	905 112,000	6	U-disk
26	905 512,000	1	Locking washer
27	907 900 001	2	Hood holder complete
28	908 801 016	4	Screw-on hinge
29	909 950 001	2	Gas spring
30	911 004 015	4	rubber buffers
31	912 700 200	2	Backup
32	912 700 425	2	Backup
33	936 001 251	1	Engine control unit "M1"
34	936 001 252	1	Engine control unit "M2"
35	936 001 604	1	Engine control unit "M4"
36	936 001 608	1	Engine control unit "M8"
37	936 306 023	1	Replacement antenna 433 MHz
38	950 900 003	2	stickers
39	950 900 090	2	Safety sticker
40	950 900 100	2	Christmas stickers
41	960 070 102	1	GPS/GSM combination antenna
42	960 080 009	1	Antenna cable
43	960 090 001	1	Signal horn
44	C1 0725	1	Cross member control units
45	C1 0933	1	cross member
46	C1 0934	1	Side carrier left
47	C1 0998	1	Side carrier right
48	C1 1028	1	Rear shock absorber mount
49	C1 1029	1	Front shock mount
50	C1 1031	1	Ground rail control modules
51	C1 1454	2	Thread strips
52	C1 1509	1	Radio antenna holder
53	C1 1519	1	Rear hood complete
54	C1 1525	1	Front hood complete
55	C1 2081	1	Emergency stop switch complete
56	C12083	1	Flashing light complete

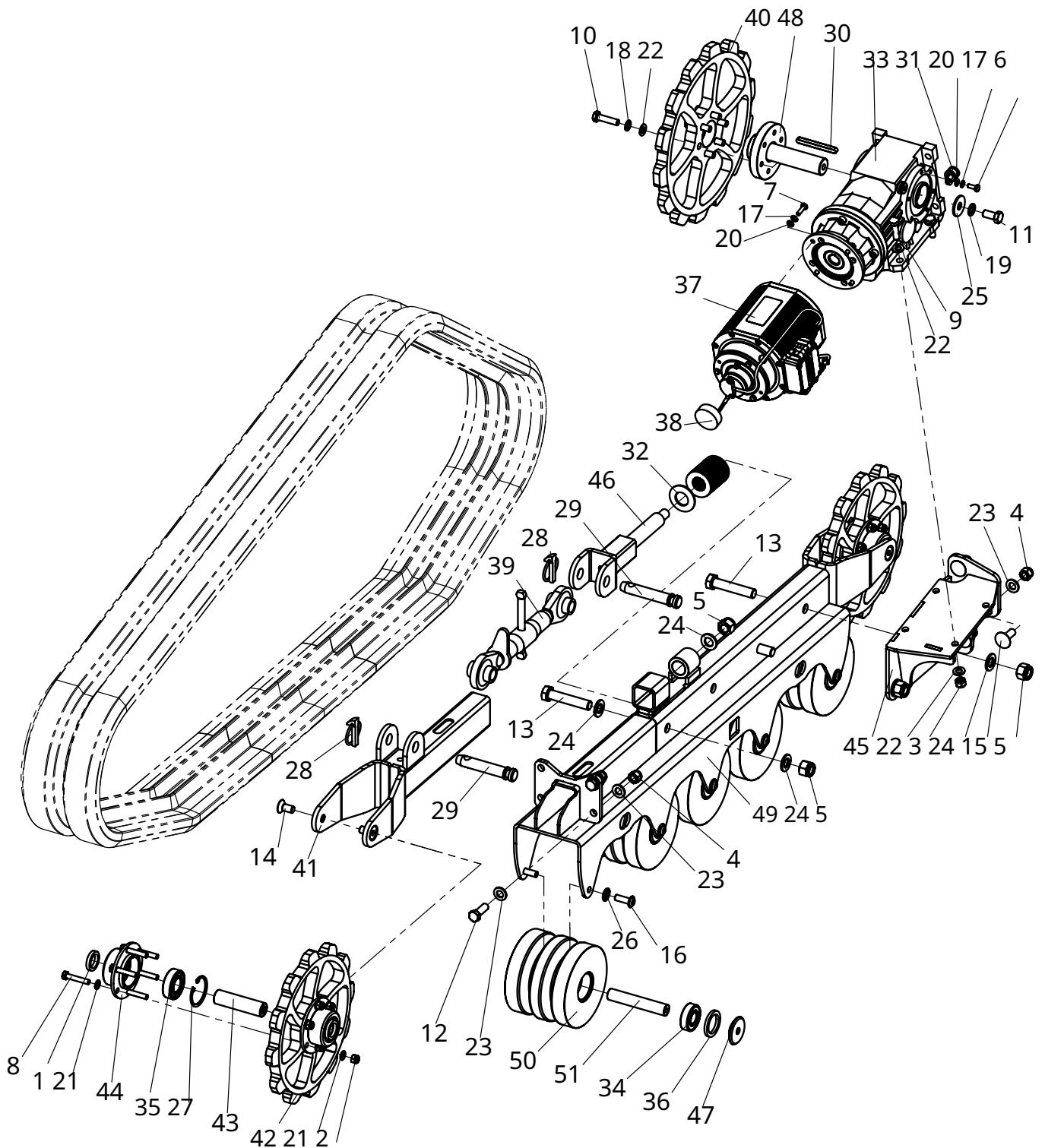
2.4 chassis left - C11207



Fahrwerk left - C11207

No.	TypeNo.	Qty.	designation
1	705 025,356	4	spacer
2	900 008 002	12	Lock nut
3	900 010,002	8	Lock nut
4	900 012 002	6	Lock nut
5	900 016 002	4	Lock nut
6	901 006 016	1	Hexagon screw without shaft
7	901 006 020	4	Hexagon screw without shaft
8	901 008 045	12	Hexagon screw without shaft
9	901 010,035	8	Hexagon screw without shaft
10	901 010,040	6	Hexagon screw without shaft
11	901 012,025	1	Hexagon screw without shaft
12	901 012,035	2	Hexagon screw without shaft
13	901 116,080	3	Hexagon screw with shaft
14	901 212,025	4	Countersunk screw with hexagon socket.
15	901 912,035	4	carriage bolt
16	903 910 030	10	Lens head screw with hexagon socket.
17	905 006 000	5	spring ring
18	905 010,000	6	spring ring
19	905 012,000	1	spring ring
20	905 106 000	5	U-disk
21	905 108 000	24	U-disk
22	905 110,000	22	U-disk
23	905 112,000	8	U-disk
24	905 116,000	7	U-disk
25	905 212 001	1	K-disc
26	905 510,000	10	Locking washer
27	906 000 520	4	Retaining ring inside
28	907 111,000	2	Linch pin
29	907 400 073	2	Top link bolt
30	908 008 780	1	key
31	908 618 015	1	Pipe clamp with rubber
32	909 502 543	16	Disc spring
33	922 063,358	1	Bevel-helical gears
34	924 106 204	10	ball bearings
35	924 106 205	4	Deep groove ball bearings
36	924 535,475	10	felt ring
37	936 001 004	1	electric motor
38	936 001 104	1	Speed sensor
39	950 101 060	1	top link
40	C1 0207	1	Drive wheel 14 teeth
41	C1 1041	1	Tension arm complete R01
42	C1 1046	2	Deflection wheel 12 teeth
43	C1 1208	2	Shaft deflection wheel
44	C1 1216	1	Gearbox mount left complete
45	C1 1241	4	Bearing shell complete
46	C1 1943	1	Chain tensioner complete
47	C1 1970	10	heel bushing
48	C1 1990	1	Drive shaft sprocket compl.
49	C1 2410	1	Basic 120s rolls complete.
50	C1 2412	5	leadership role
51	C12455	5	wheel axle
52	C13763	1	Recording complete

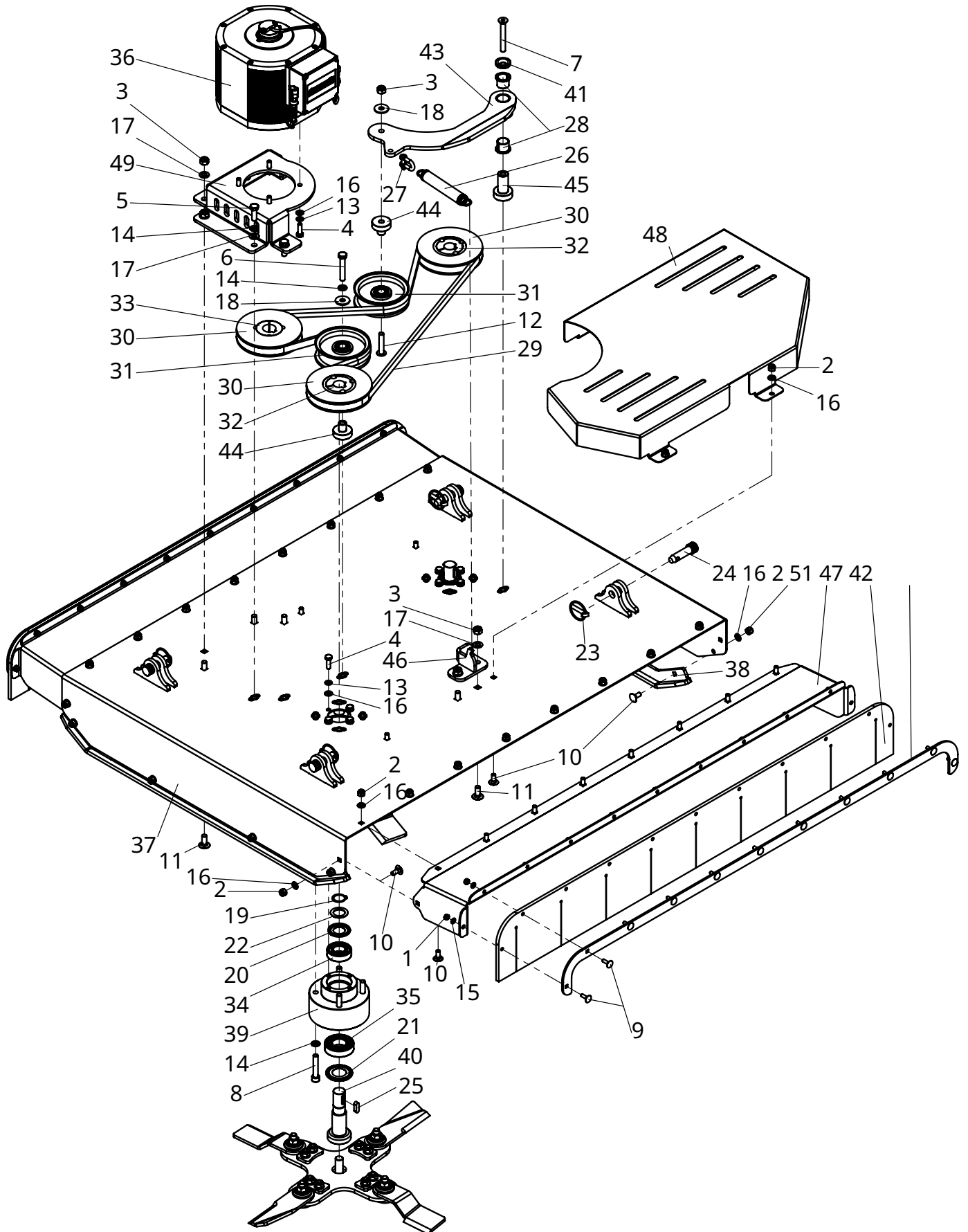
2.5 chassis right - C11586



Fahrwright - C11586

No.	TypeNo.	Qty.	designation
1	705 025,356	4	spacer
2	900 008 002	12	Lock nut
3	900 010,002	4	Lock nut
4	900 012 002	6	Lock nut
5	900 016 002	4	Lock nut
6	901 006 016	1	Hexagon screw without shaft
7	901 006 020	4	Hexagon screw without shaft
8	901 008 045	12	Hexagon screw without shaft
9	901 010,035	4	Hexagon screw without shaft
10	901 010,040	6	Hexagon screw without shaft
11	901 012,025	1	Hexagon screw without shaft
12	901 012,035	2	Hexagon screw without shaft
13	901 116,080	3	Hexagon screw with shaft
14	901 212,025	4	Countersunk screw with hexagon socket.
15	901 912,035	4	carriage bolt
16	903 910 030	10	Lens head screw with hexagon socket.
17	905 006 000	5	spring ring
18	905 010,000	6	spring ring
19	905 012,000	1	spring ring
20	905 106 000	5	U-disk
21	905 108 000	24	U-disk
22	905 110,000	14	U-disk
23	905 112,000	8	U-disk
24	905 116,000	7	U-disk
25	905 212 001	1	K-disc
26	905 510,000	10	Locking washer
27	906 000 520	4	Retaining ring inside
28	907 111,000	2	Linch pin
29	907 400 073	2	Top link bolt
30	908 008 780	1	key
31	908 618 015	1	Pipe clamp with rubber
32	909 502 543	16	Disc spring
33	922 063,358	1	Bevel-helical gears
34	924 106 204	10	ball bearings
35	924 106 205	4	Deep groove ball bearings
36	924 535,475	10	felt ring
37	936 001 004	1	electric motor
38	936 001 104	1	Speed sensor
39	950 101 060	1	top link
40	C1 0207	1	Drive wheel 14 teeth
41	C1 1041	1	Tension arm complete R01
42	C1 1046	2	Deflection wheel 12 teeth
43	C1 1208	2	Shaft deflection wheel
44	C1 1241	4	Bearing shell complete
45	C1 1249	1	Gearbox mount right complete
46	C1 1943	1	Chain tensioner complete
47	C1 1970	10	heel bushing
48	C1 1990	1	Drive shaft sprocket compl.
49	C1 2410	1	Basic 120s rolls complete.
50	C12412	5	leadership role
51	C12455	5	wheel axle

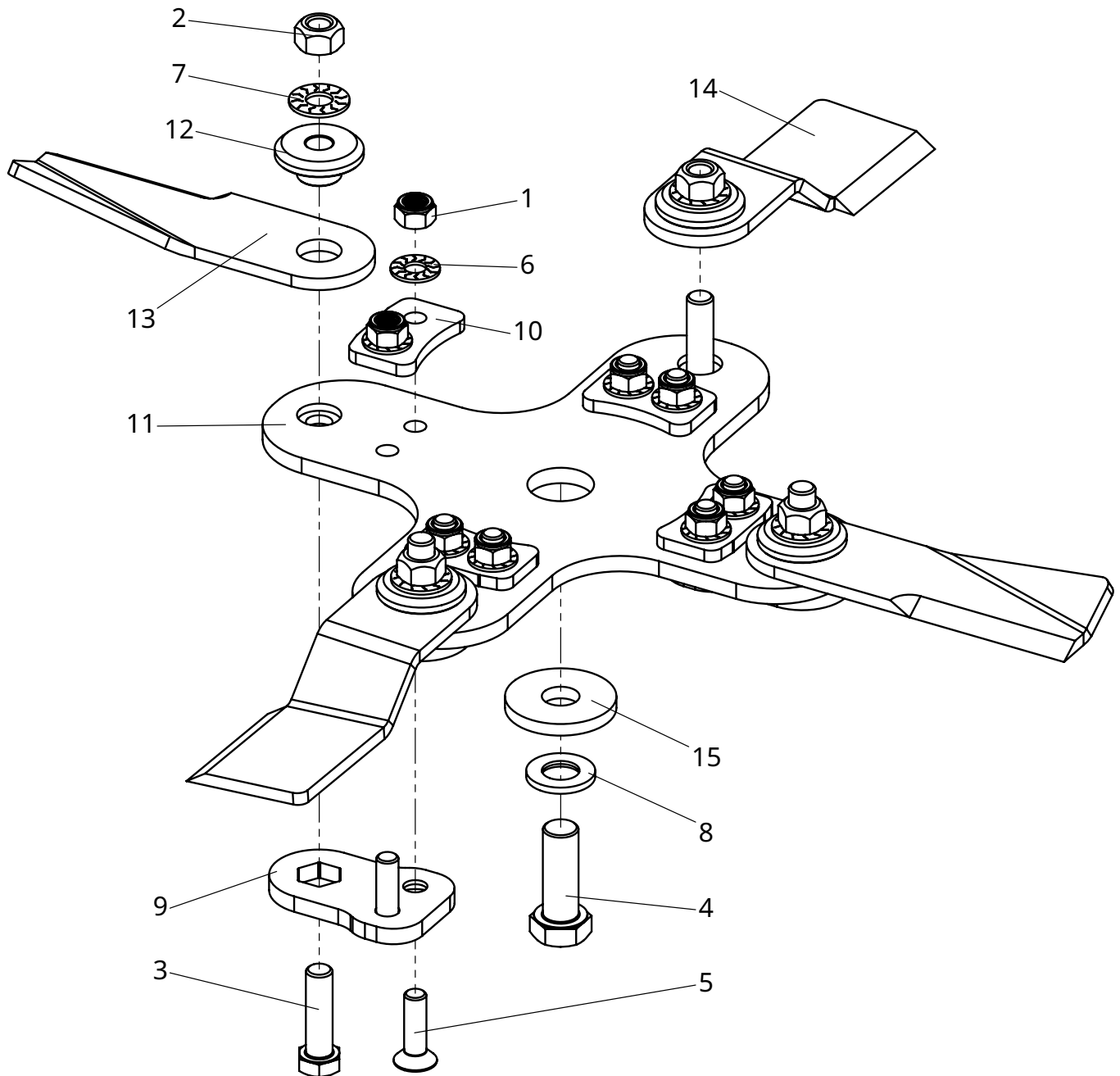
2.6 Mower deck - C10165



Mähdeck - C10165

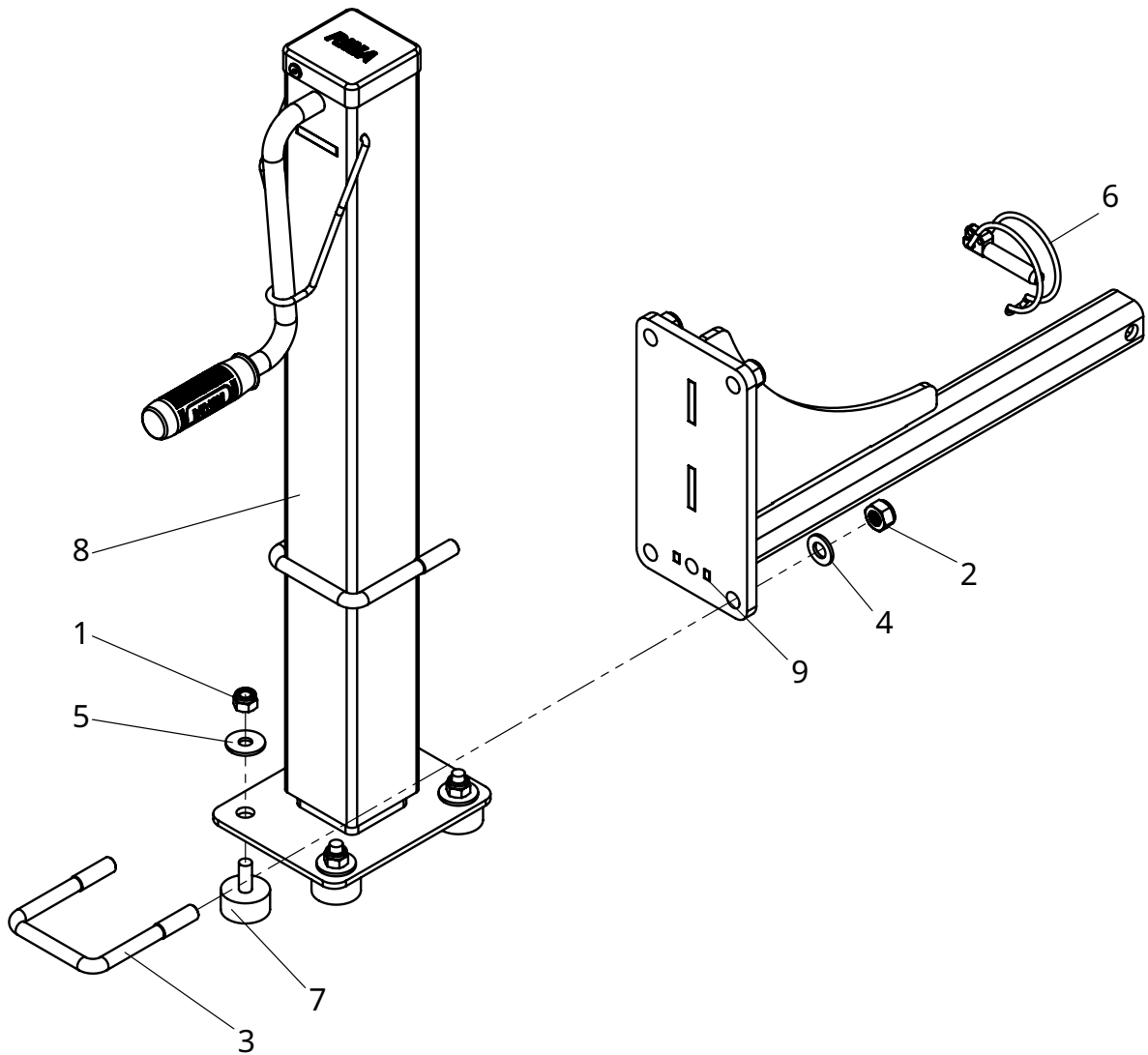
No.	TypeNo.	Qty.	designation
1	900 006 002	22	Lock nut
2	900 008 002	32	Lock nut
3	900 010,002	7	Lock nut
4	901 008 025	12	Hexagon screw without shaft
5	901 010,030	2	Hexagon screw without shaft
6	901 110,060	1	Hexagon screw with shaft
7	901 210,080	1	Countersunk screw with hexagon socket.
8	901 810,055	8	Cylinder head screw with hexagon socket.
9	901 906 020	22	carriage bolt
10	901 908 020	32	carriage bolt
11	901 910,025	6	carriage bolt
12	903 910,050	1	Lens head screw with hexagon socket.
13	905 008 000	12	spring ring
14	905 010,000	11	spring ring
15	905 106 000	22	U-disk
16	905 108 000	44	U-disk
17	905 110,000	8	U-disk
18	905 210,000	2	K-disc
19	905 925,000	2	Retaining ring outside
20	906 906 205	2	Nilosring
21	906 906 206	2	Nilosring
22	906 916,205	2	Nilos spacer ring
23	907 108 000	4	Linch pin
24	907 400 043	4	socket pin
25	908 008 725	2	key
26	909 200 174	1	tension spring
27	912 801 008	1	D-shackle
28	915 222,521	2	plain bearings
29	921 106 885	1	V-belt
30	921 220,133	3	V-belt pulley
31	921 416 101	2	Back tensioning roller
32	921 600 025	2	Taperlock bushing
33	921 600 028	1	Taperlock bushing
34	924 106 205	2	Deep groove ball bearings
35	924 106 206	2	Deep groove ball bearings
36	936 001 011	1	electric motor
37	C1 0446	1	Sickle mower deck complete
38	C1 0451	2	Running runner complete
39	C1 0498	2	bearing block
40	C1 0513	2	spindle shaft
41	C1 0667	1	Lock washer
42	C1 0741	2	Cloth clamping plate
43	C1 0749	1	Clamping arm complete
44	C1 0751	2	Heel bushing tension pulley
45	C1 0759	1	Heel bushing clamping arm
46	C1 0760	1	Tension spring holder
47	C1 0910	2	Throw protection cloth
48	C1 1030	1	Cover strap
49	C1 1769	1	Benevelli engine mount
50	C1 1840	4	Assembly of the pendulum knife plate
51	C1 1879	2	Throw protection plate
52	C14732	1	spacer 20mm
53	C14733	1	spacer 38mm

2.7 Pendulum knife plate - C11840



No.	Art.-Nr. No.		designation
1	900 010 002	8	Lock nut
2	900 012 009	4	Lock nut, all-metal
3	901,112 043	4	Hexagon screw with shaft 10.9
4	901,124 016	1	Hexagon screw with full thread
5	901,210 035	8	Countersunk screw with hexagon socket.
6	905,510 000	8	Locking washer
7	905,512 000	4	Locking washer
8	906,900 016	1	Wedge lock washer set
9	C1075 2	4	Doubling knife carrier
10	C1075 3	4	Stop knife carrier
11	C1131 9	1	knife carrier
12	C1160 6	4	flange bushing
13	C1183 9	2	Flail knife Hardox 400
14	C1188 8	2	Flail knife Hardox 400
15	C1477 4	1	disc

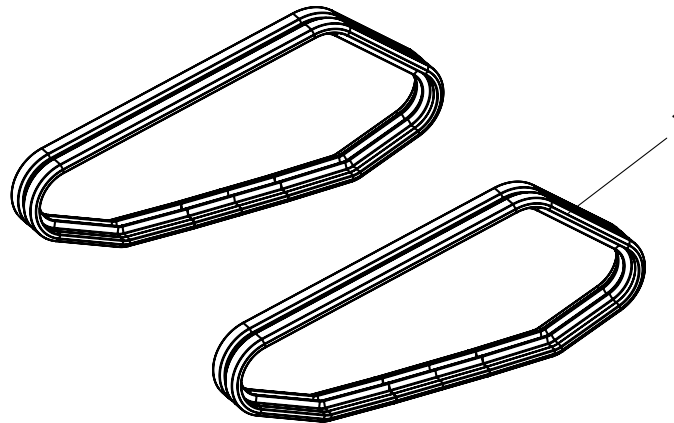
2.8 Jack - S1004



No.	Art.-Nr.	No.	designation
1	900 008 002	4	Lock nut
2	900 010 002	4	Lock nut
3	901,510 260	2	U-bolt
4	905,110 000	4	U-disk
5	905,208 025	4	K-disc
6	907,195 000	1	Pipe clip pin
7	911,108 030	4	Rubber-metal buffers
8	942 001 002	1	crank support
9	C1212 9	1	Support mount

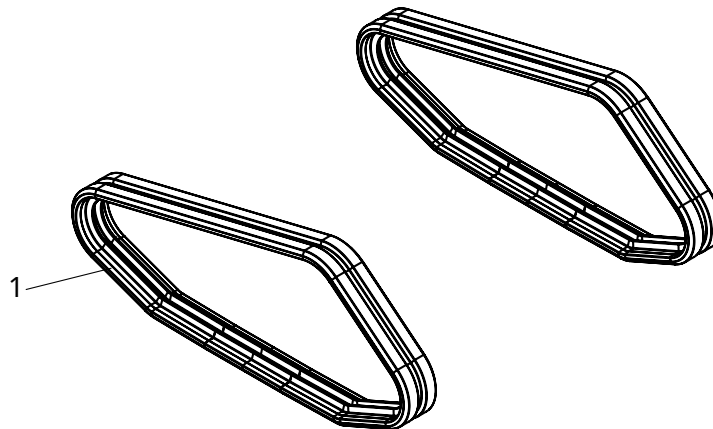
3 rubber tracks

3.1 Rubber track set Allround profile - S1001



No.	Item no.	No.	designation
1	926 200 001	2	rubber chain

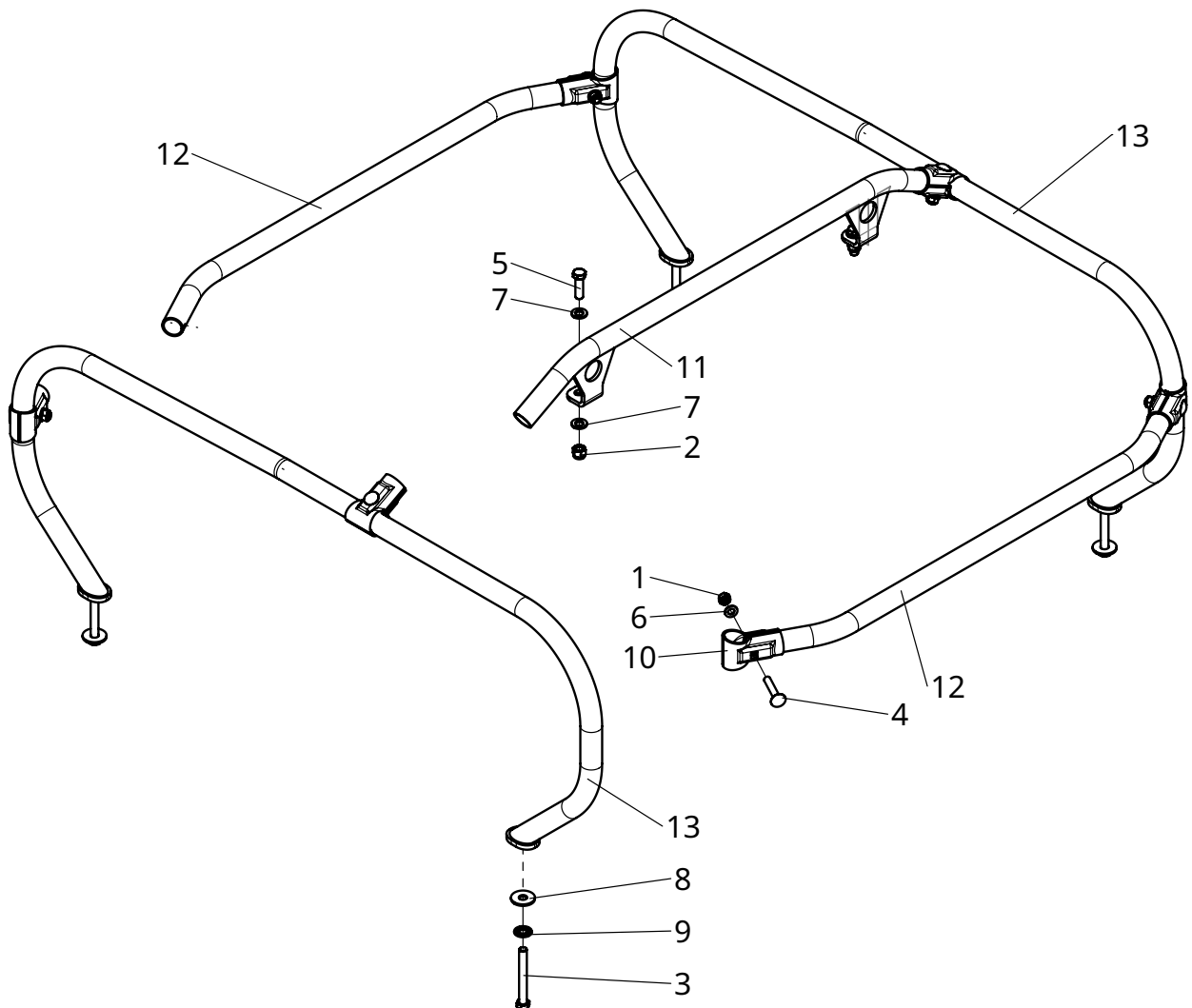
3.2 Rubber track set Ackerstolle - S1002



No.	Item no.	No.	designation
1	926 200 002	2	rubber chain

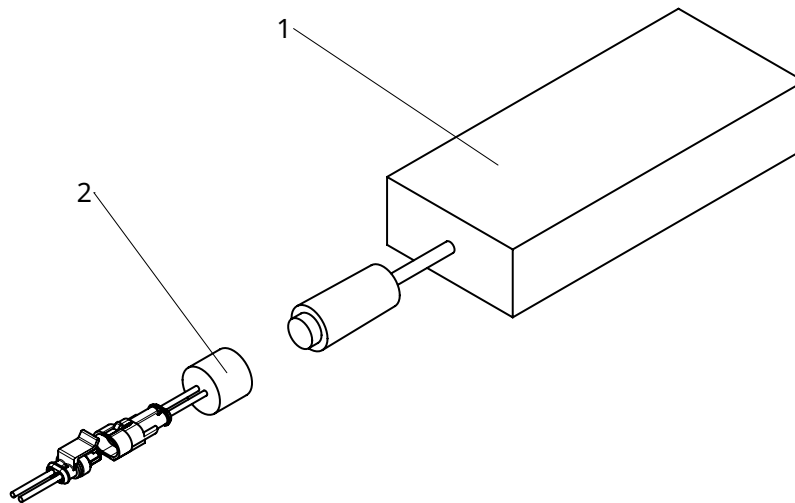
4 options

4.1 Roll cage ROPS - S1106



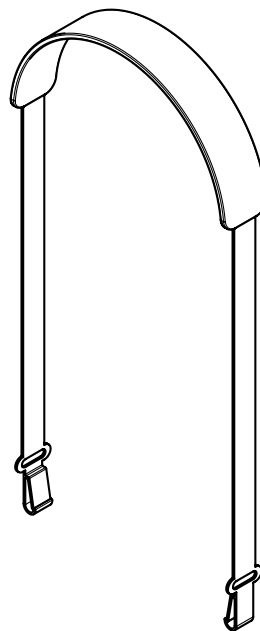
No.	Art.-No.	No.	designation
1	900 010 002	6	Lock nut
2	900 012 002	2	Lock nut
3	901,112 100	4	Hexagon screw with shaft
4	901,910 060	6	carriage bolt
5	903,512 040	2	Hexagon screw without shaft 10.9
6	905,110 000	6	U-disk
7	905,112 000	4	U-disk
8	905,212 001	4	K-disc
9	905,512 000	4	Locking washer
10	908,910 337	6	Pipe connectors
11	C 12660	1	Cross brace complete
12	C 13005	2	Cross tube vz.
13	C 13875	2	Side pipe complete R01

4.2 Battery charger - S1077



No.	TypeNo.	Qty.	designation
1	960 011,301	1	Battery charger
2	960 011 302	1	cable set

4.3 Shoulder strap - S1299



No.	Item no.	No.	designation
1	936 306 028	1	Shoulder strap remote control